



HARDWOOD INDUSTRIES, INC.

Accented Moulding Catalog



Braided



Accents[®]



HARDWOOD
INDUSTRIES, INC.



"Hardwood Mouldings with a Twist."®

Hardwood Industries Inc. is pleased to announce the acquisition of Braided Accents, manufacturer of one of the most diverse lines of rope and dentil accented mouldings in the country. Operating out of several locations in the Pacific Northwest, Hardwood Industries' focus on quality hardwood lumber and high manufacturing standards make the new relationship with Braided Accents a seamless transition. Braided Accents customers can continue to expect the highest degree of quality and service moving forward.

Our accented mouldings are manufactured from the finest domestic and imported hardwoods available. We strive to offer accented mouldings for all applications with a diverse stocking program including **Heart Cherry, White Hard Maple, Red Oak, Clear Alder, Knotty Alder and Paint Grade**. We keep adequate inventory levels on all patterns depicted as stock (S) in this catalog. Our non-stock (NS) patterns will be quoted and sold on a per order basis with a minimal lead-time. All patterns will be shipped clear face, pin knots no defect (PKND). Other species are also available on a custom order basis.

Our accented moulding products can be ordered by calling any of the locations below:

Accented Mouldings Sales Offices

Sherwood, OR: 800-745-6620
Bend, OR: 541-389-2236
Medford, OR: 800-669-0657
Woodinville, WA: 888-750-5881
Kent, WA: 888-750-5881

Table of Contents

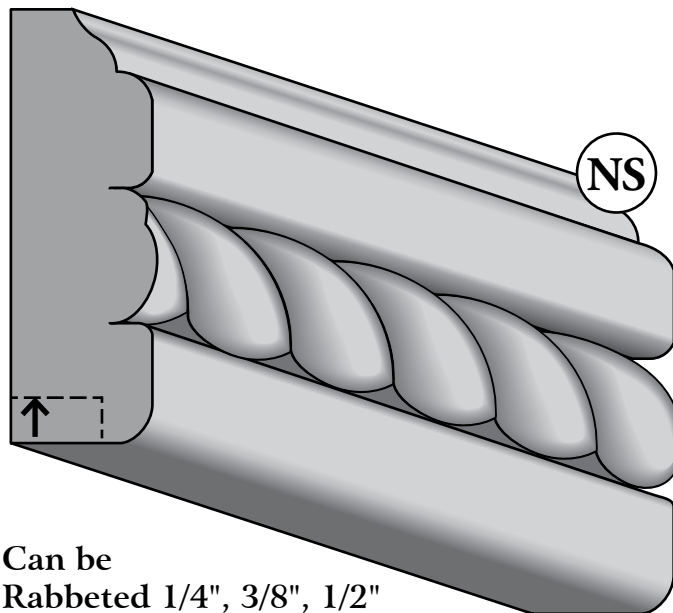
BR100/BR200 Series –	
EDGE BANDS, CHAIR RAILS, CASING, MIRROR /	
PICTURE FRAME	4-5
BR300 Series –	
EDGE BANDS / SELF EDGE, BACK SPLASH,	
BASE CEILING BAND, CROWN BUILDUPS	6-7
“V” Series –	
VENEER WRAPPED CROWNS	8
BR400 Series –	
CROWN MOULDINGS	9-13
DM600 Series –	
DENTIL CROWNS, FRIEZE BLOCKS,	
SPECIALTY CABINET CORNER	14-16
Universal Crowns –	
COMBINATION INSERTS	17
Rope Mouldings –	
HALF ROUND, THREE QUARTER, QUARTER & FULL ROUND	18
Dentil Moulding Inserts	19
NEW! Theme Mouldings –	
CROWNS AND CHAIR RAIL	20
CORBELS	21
Terms & Conditions	22
Product Index	23

(S) = STOCK ITEM **(NS)** = NON-STOCK ITEM

NOTE: MOULDINGS, UNLESS NOTED, APPEAR IN FULL SIZE.

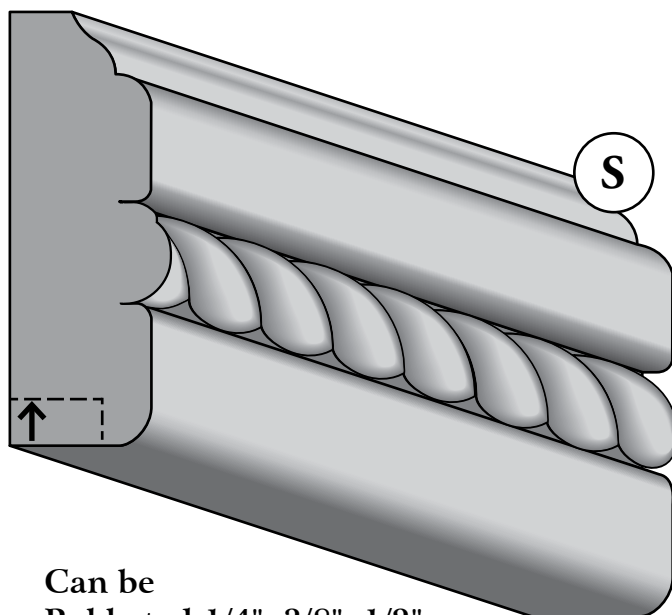
Stock Species Include: Heart Cherry, White Hard Maple, Red Oak, Clear Alder, Knotty Alder, and Paint Grade.

100 Series –
CHAIR RAIL/EDGE BAND
WALLPAPER BORDERS, FRAMES, CASINGS



Can be
Rabbeted 1/4", 3/8", 1/2"
for Wainscot Cap

BR101
11/16" x 2 1/4"
3/4" Rope Insert

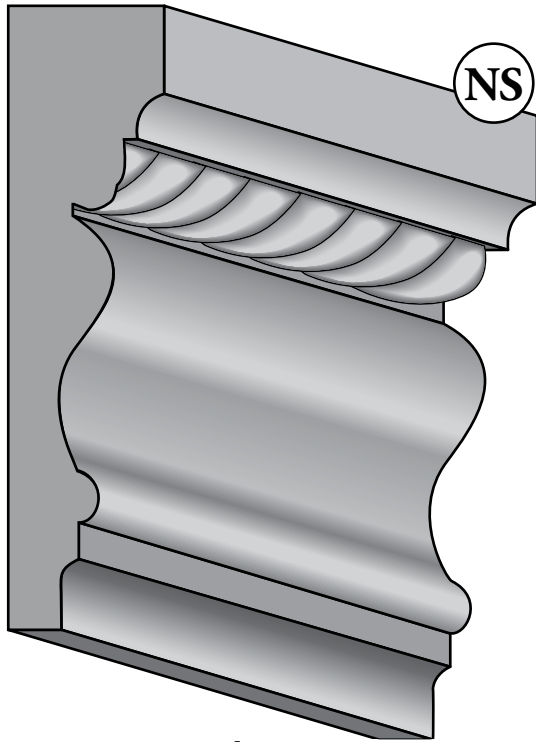


Can be
Rabbeted 1/4", 3/8", 1/2"
for Wainscot Cap

BR101B
11/16" x 2 1/4"
1/2" Rope Insert

Stock Species Include: Heart Cherry, White Hard Maple, Red Oak, Clear Alder, Knotty Alder, and Paint Grade.

100 Series – *DOOR/WINDOW CASING*



BR104



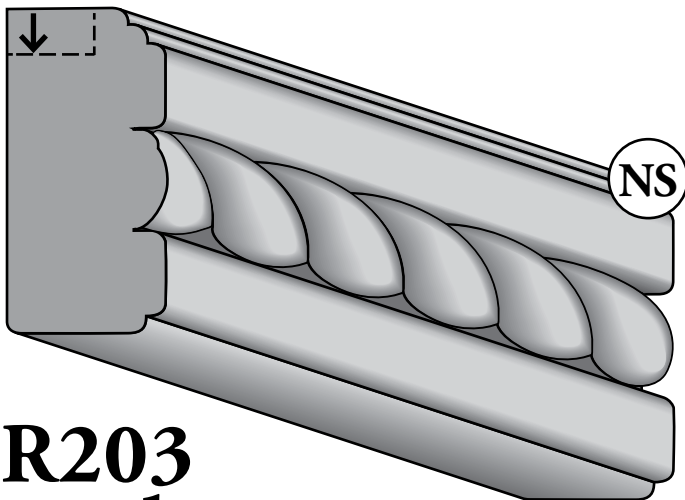
BR104

Casing/Chair Rail

13/16" x 3 1/4"

3/8" Quarter Round Rope Insert

Can be
Rabbeted 3/8"



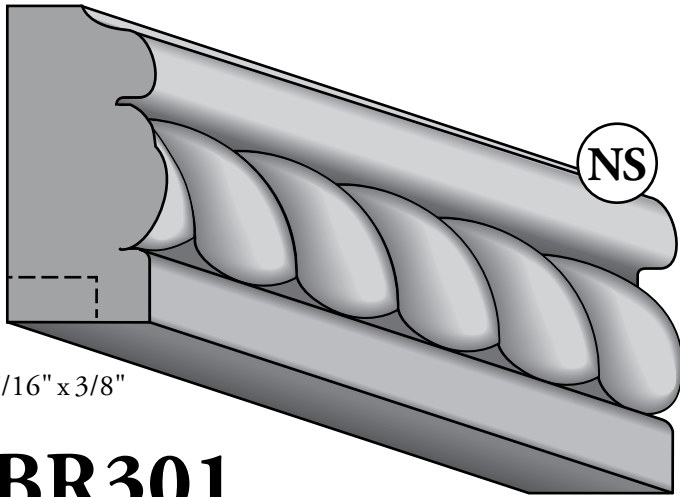
BR203

13/16" x 1 11/16"

1/2" Rope Insert

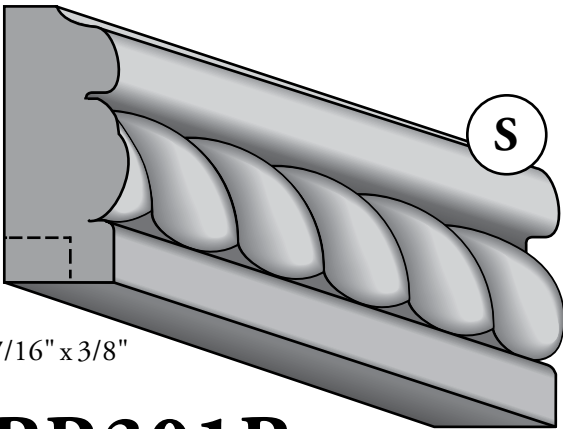
200 Series – *MIRROR / PICTURE FRAME / CAPS*

300 Series – EDGE BANDS/SELF EDGE



7/16" x 3/8"

BR301
3/4" x 1 5/8"
3/4" Rope Insert



7/16" x 3/8"

BR301B
5/8" x 1 3/8"
1/2" Rope Insert

Both BR301 & BR301B can be rabbeted to 1/4", 3/8", and 1/2"

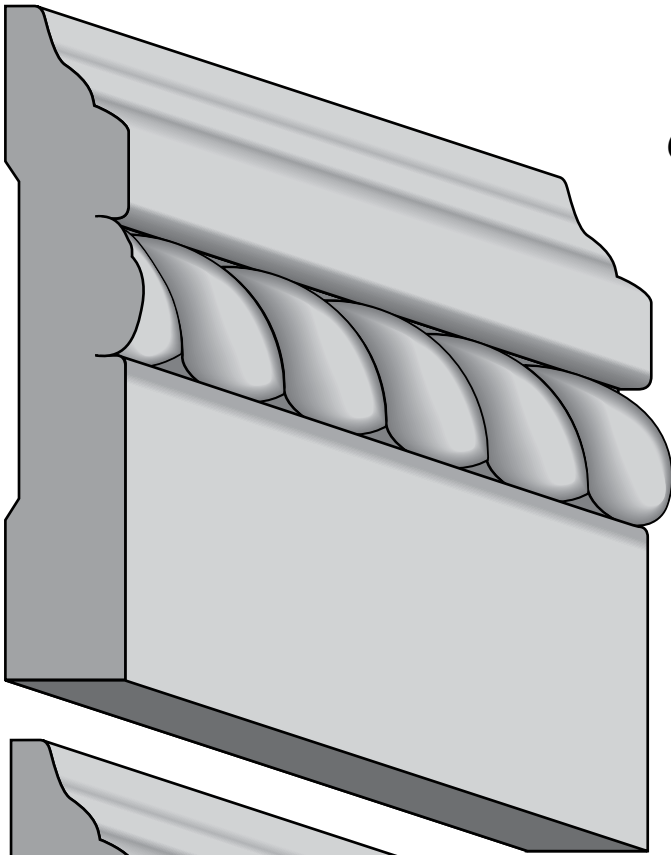
BR301B



BR301 & BR301B

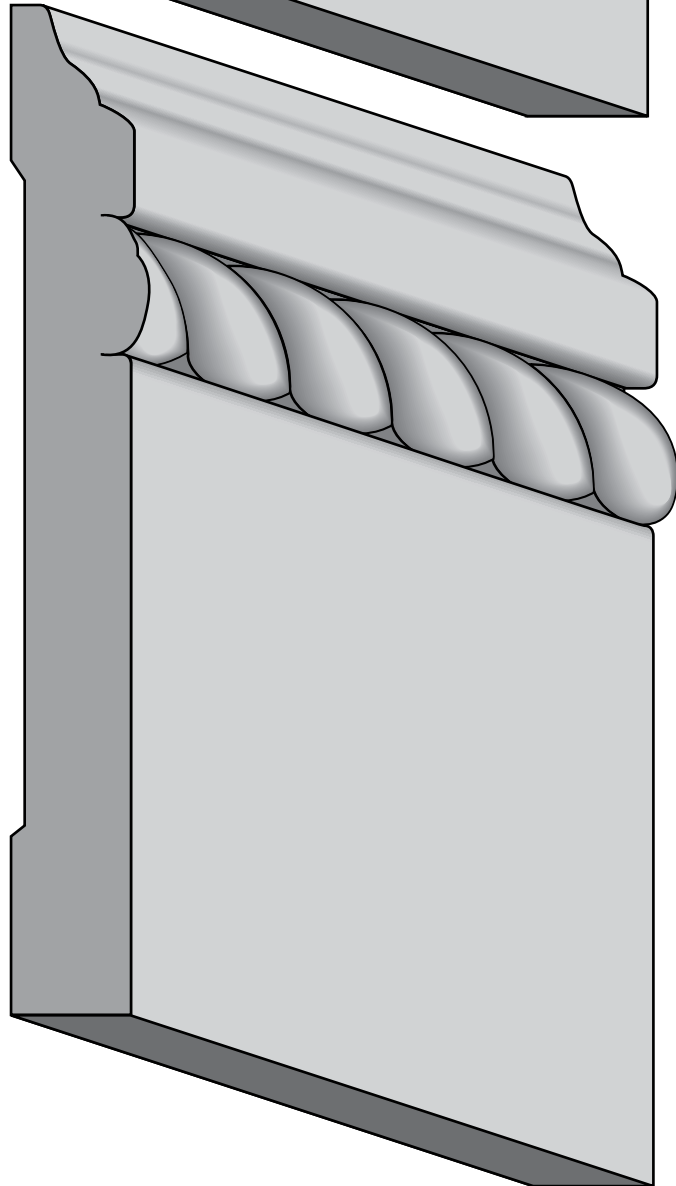
Works well with high-pressure laminate wood and tile; makes the countertop desk or work station exceptional.

300 Series –
BACK SPLASH, BASE BOARD, CEILING BANDS, CROWN BUILDUPS



BR302 (S)
5/8" x 3 1/2"
3/4" Rope Insert

BR302B (S)
1/2" Rope Insert



BR303 (NS)
5/8" x 5 1/4"
3/4" Rope Insert

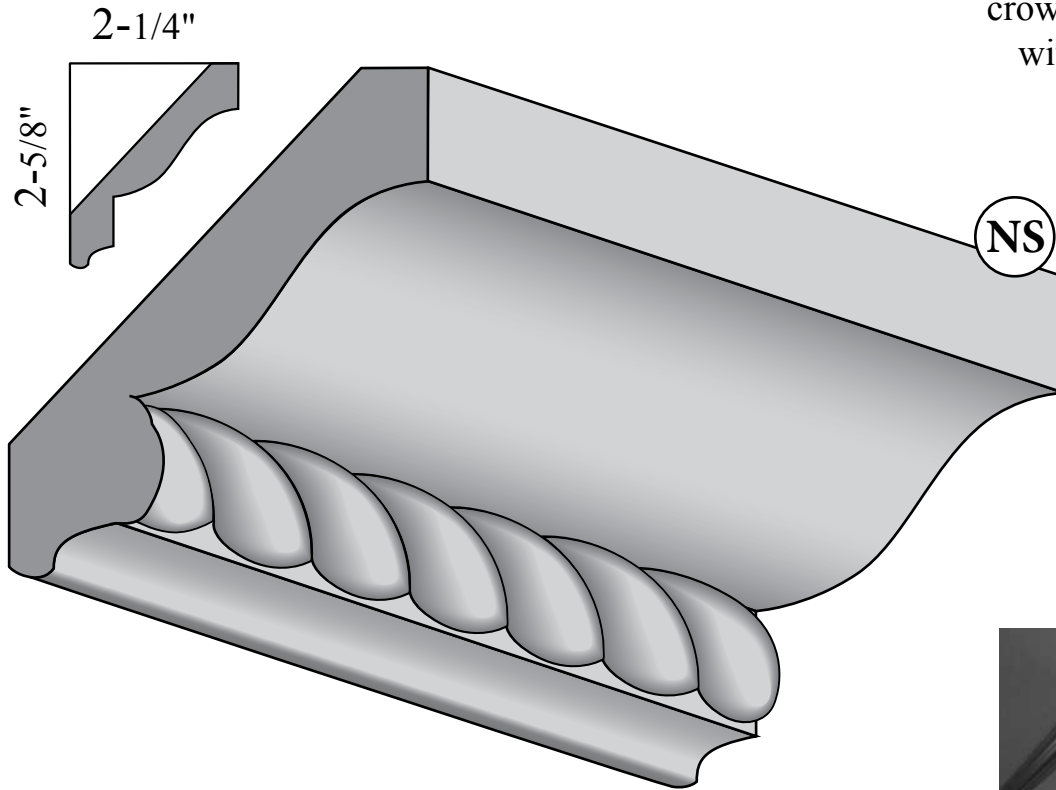
BR303B (NS)
1/2" Rope Insert

BR302 Base



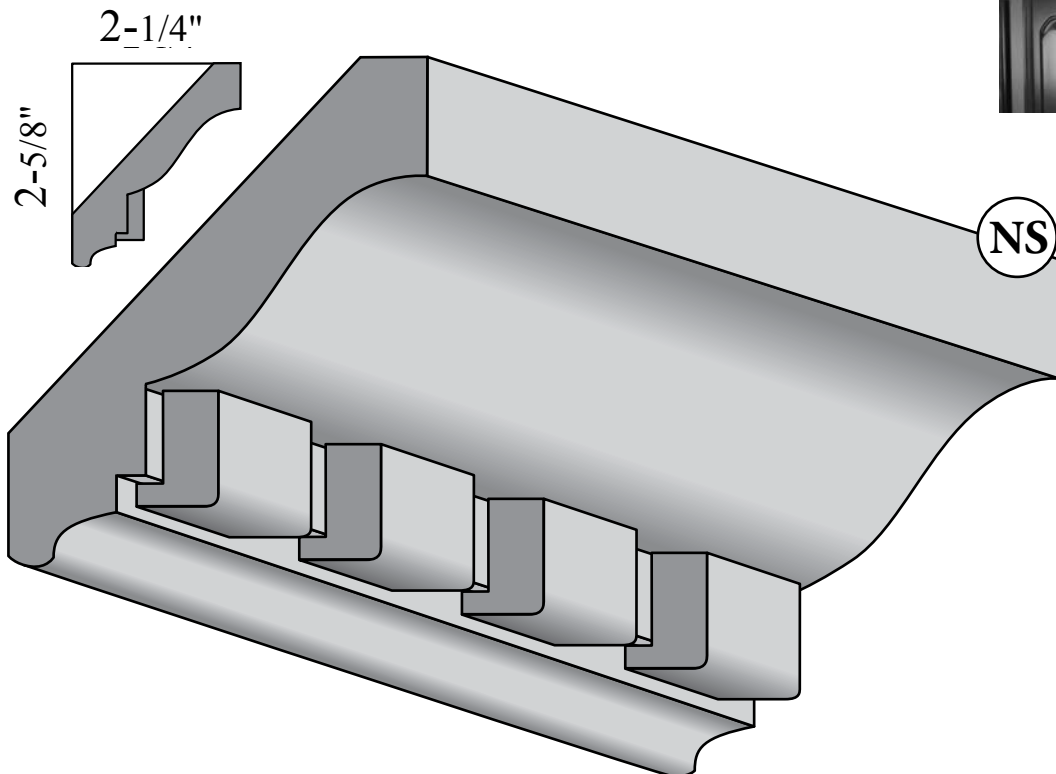
V Series™
VENEER WRAPPED CROWNS

The "V" Series™
 A selection of Red Oak,
 Maple, Cherry and Alder
 crowns, offered in 12' lengths,
 with an impeccable finish.



BRV401
 11/16" x 3 3/8"
 5/8" Rope Insert

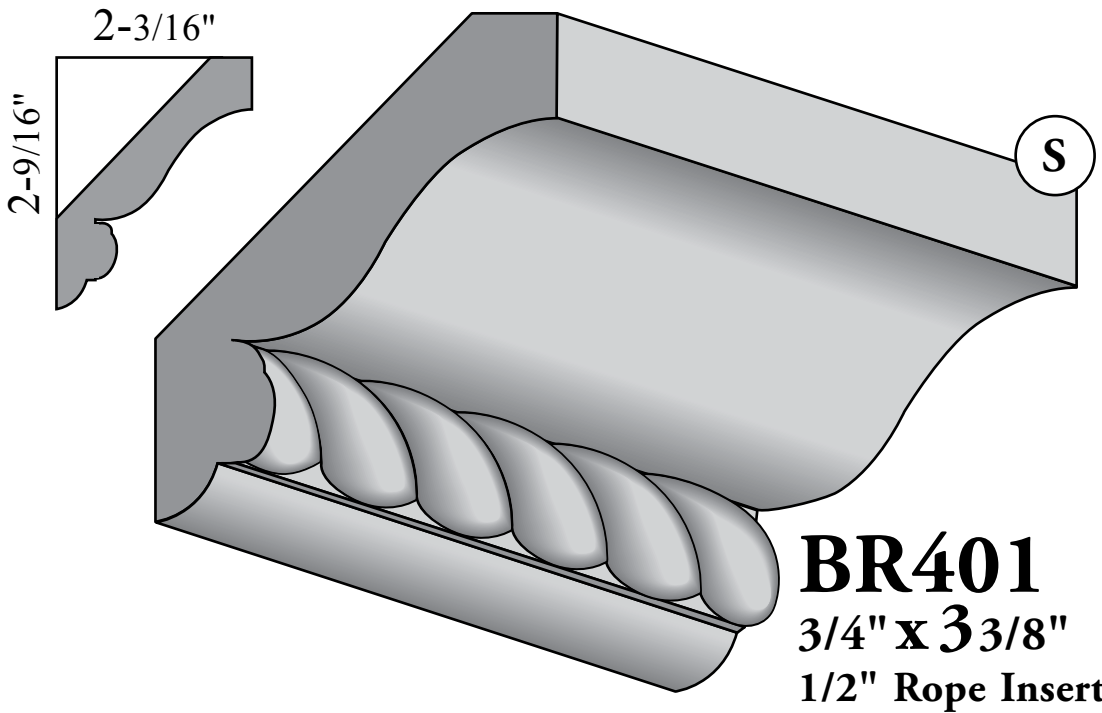
BRV401 Cherry



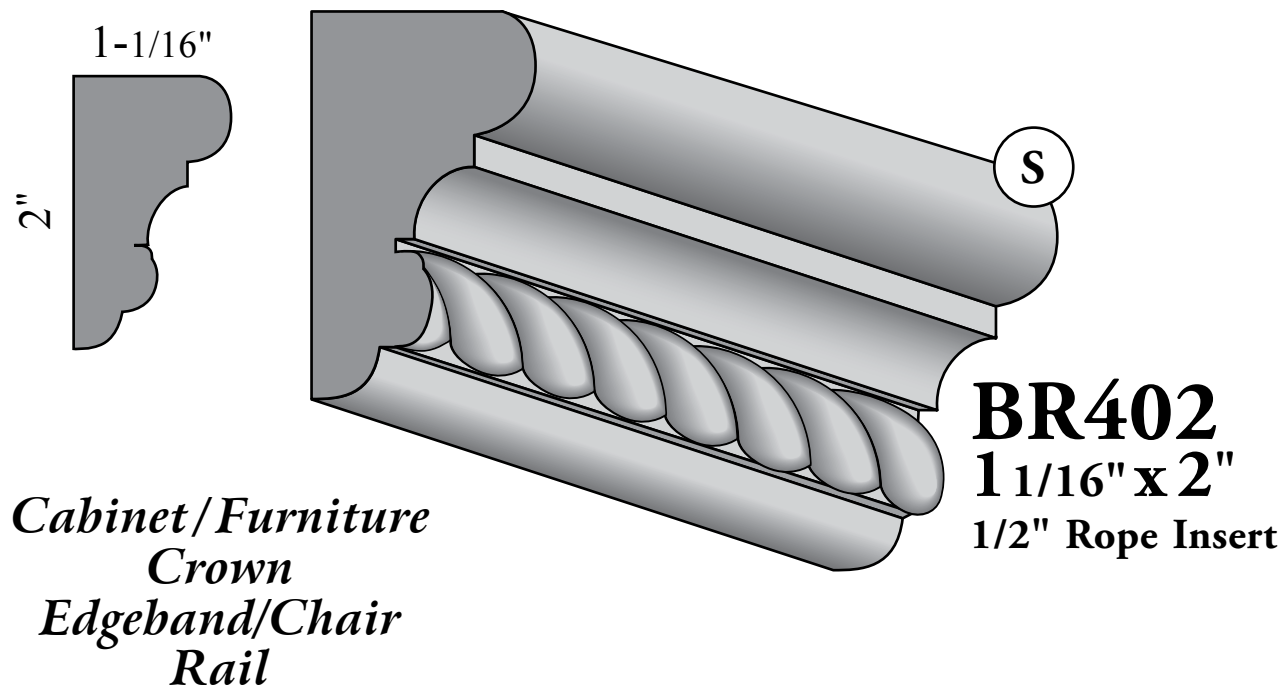
DMV401
 11/16" x 3 3/8"
 DIS Insert

Cabinet/Ceiling Crown

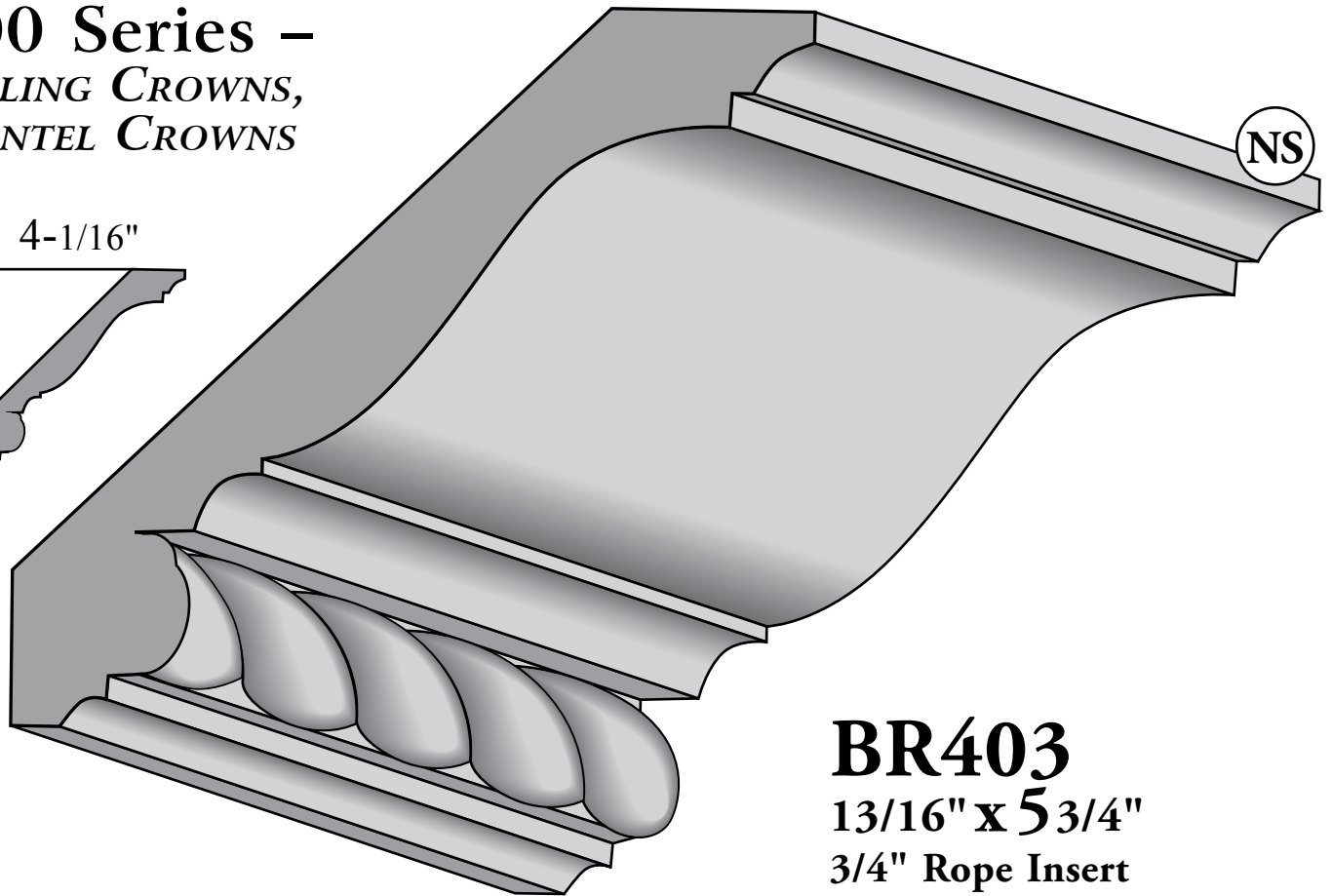
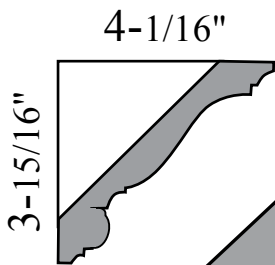
**400 Series –
CROWN MOULDINGS**



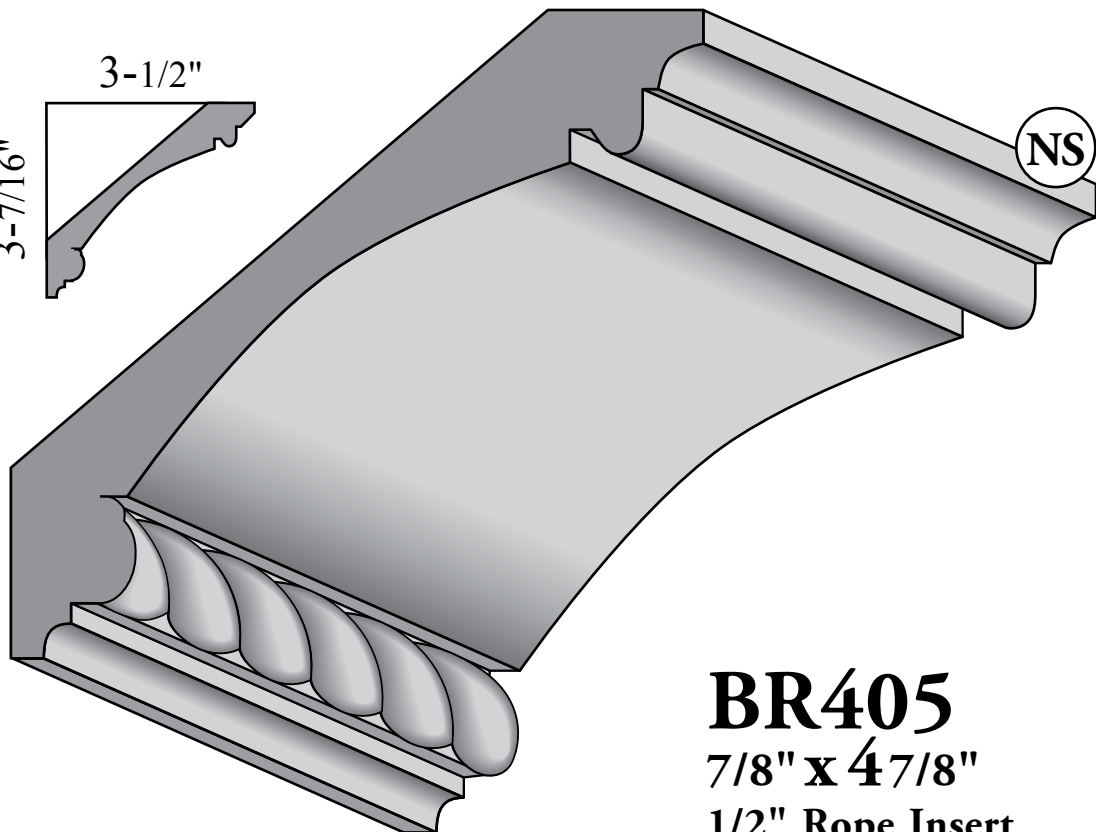
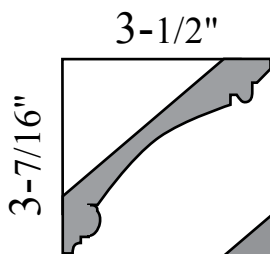
Flat Back Cabinet/Furniture Crown



400 Series –
CEILING CROWNS,
MANTEL CROWNS

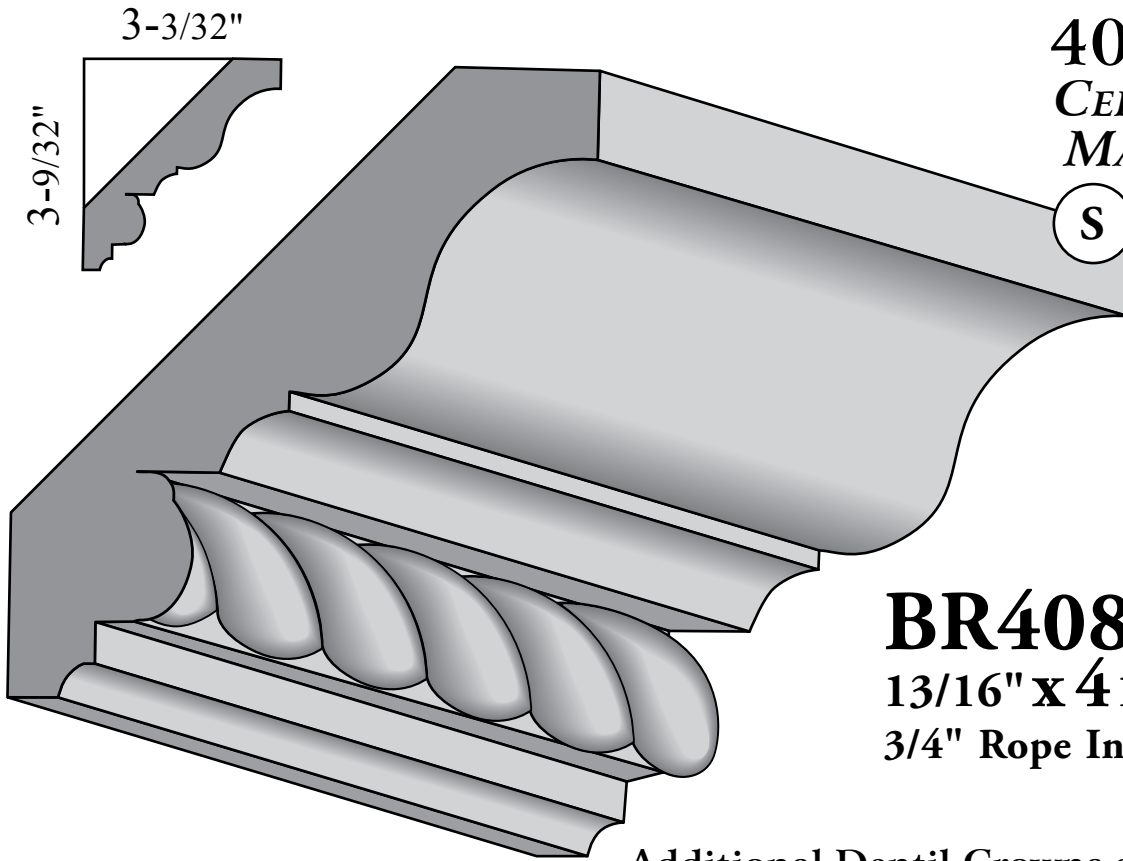


BR403
13/16" x 5 3/4"
3/4" Rope Insert



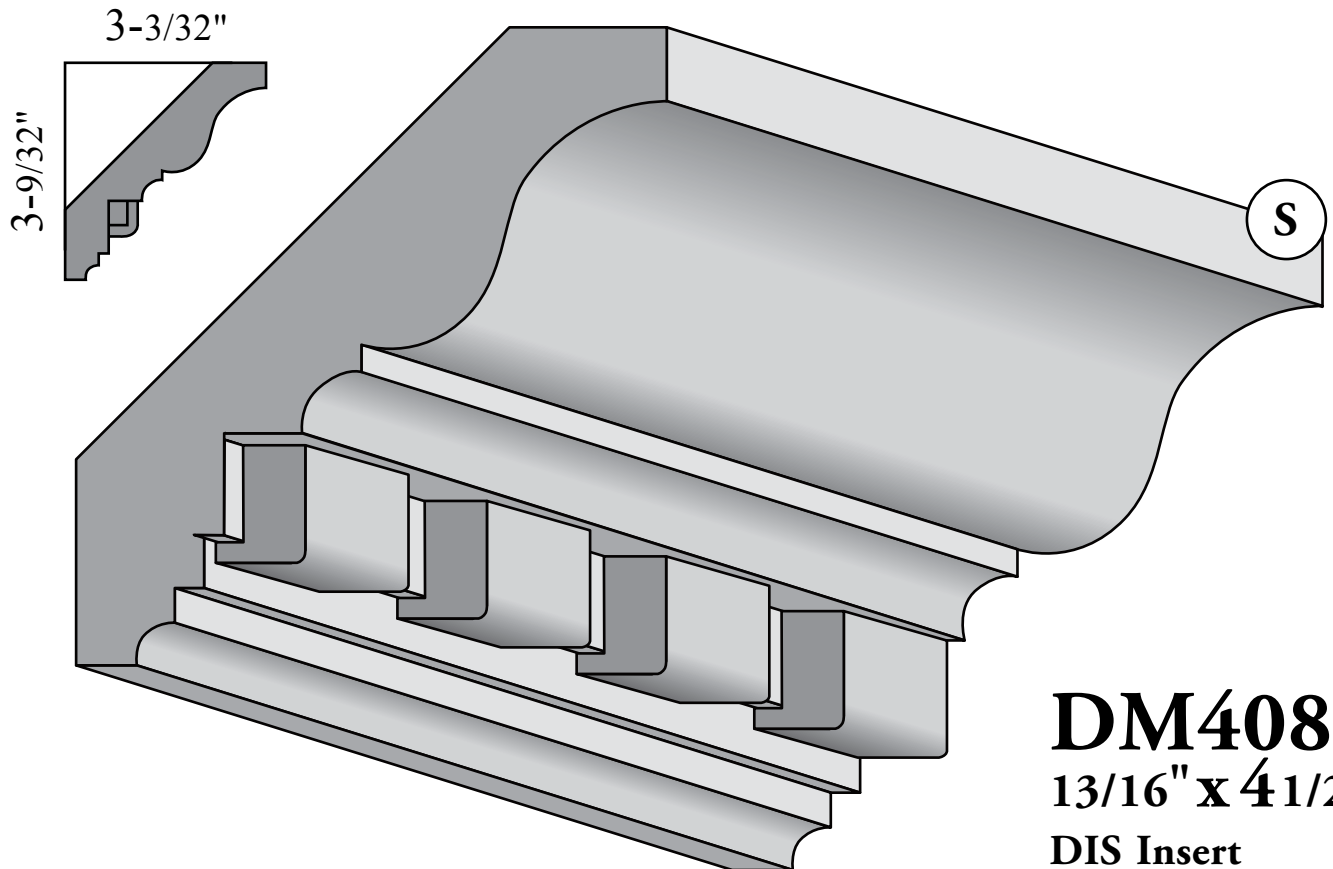
BR405
7/8" x 4 7/8"
1/2" Rope Insert

400 Series –
CEILING CROWNS,
MANTEL CROWNS



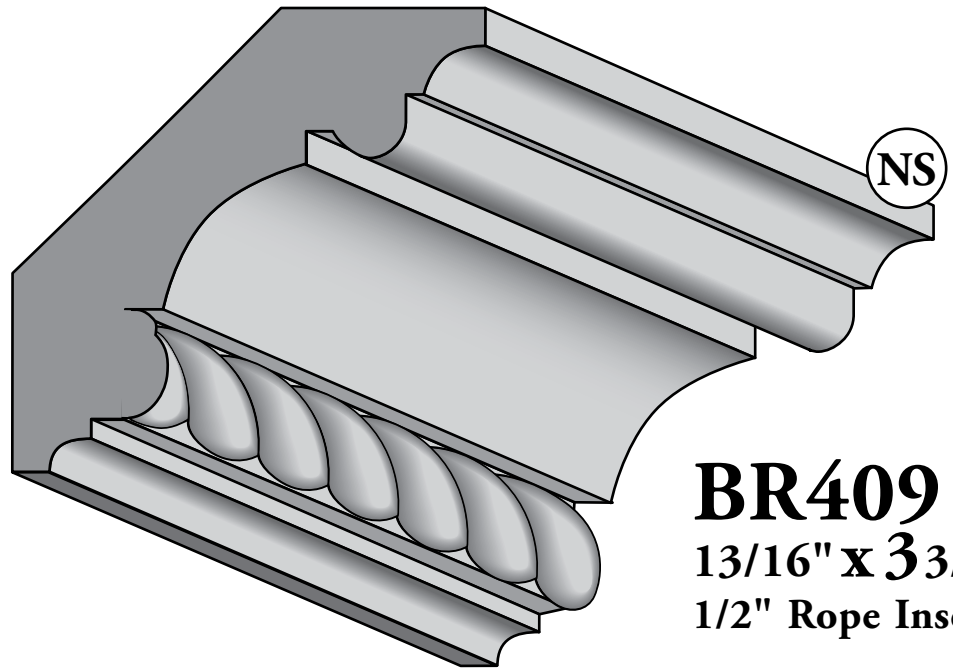
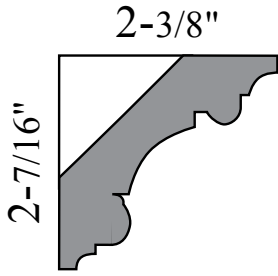
BR408
13/16" x 4 1/2"
3/4" Rope Insert

Additional Dentil Crowns see pages 14-16

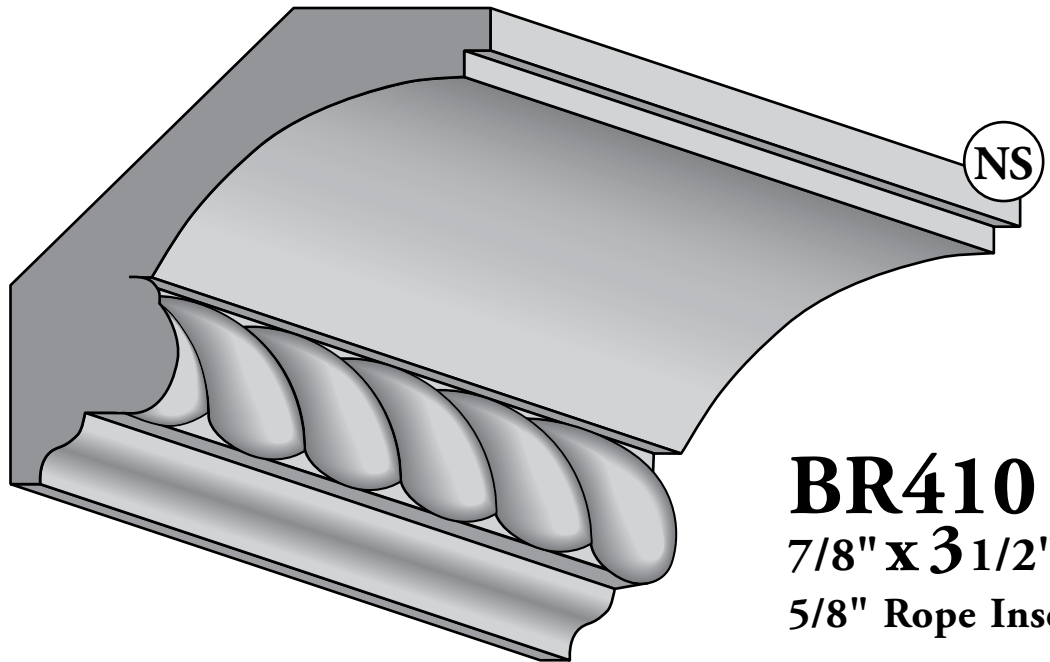
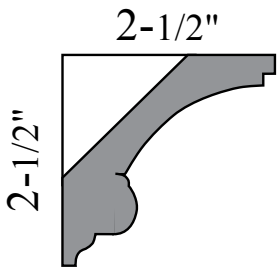


DM408
13/16" x 4 1/2"
DIS Insert

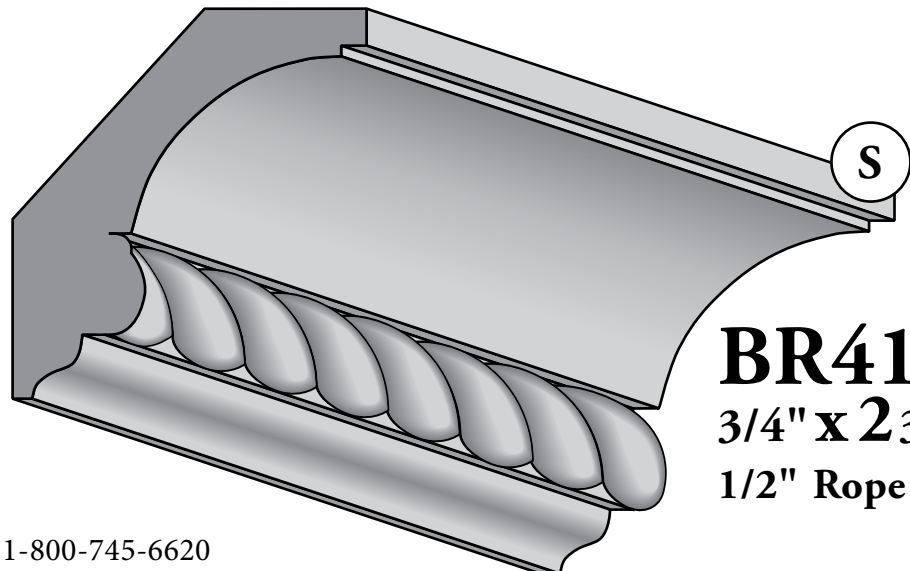
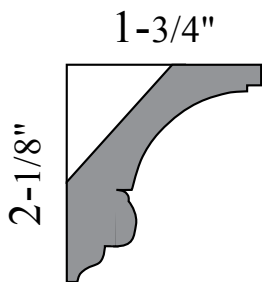
400 Series – CROWNS



BR409
 $1\frac{3}{16}'' \times 3\frac{3}{8}''$
 1/2" Rope Insert

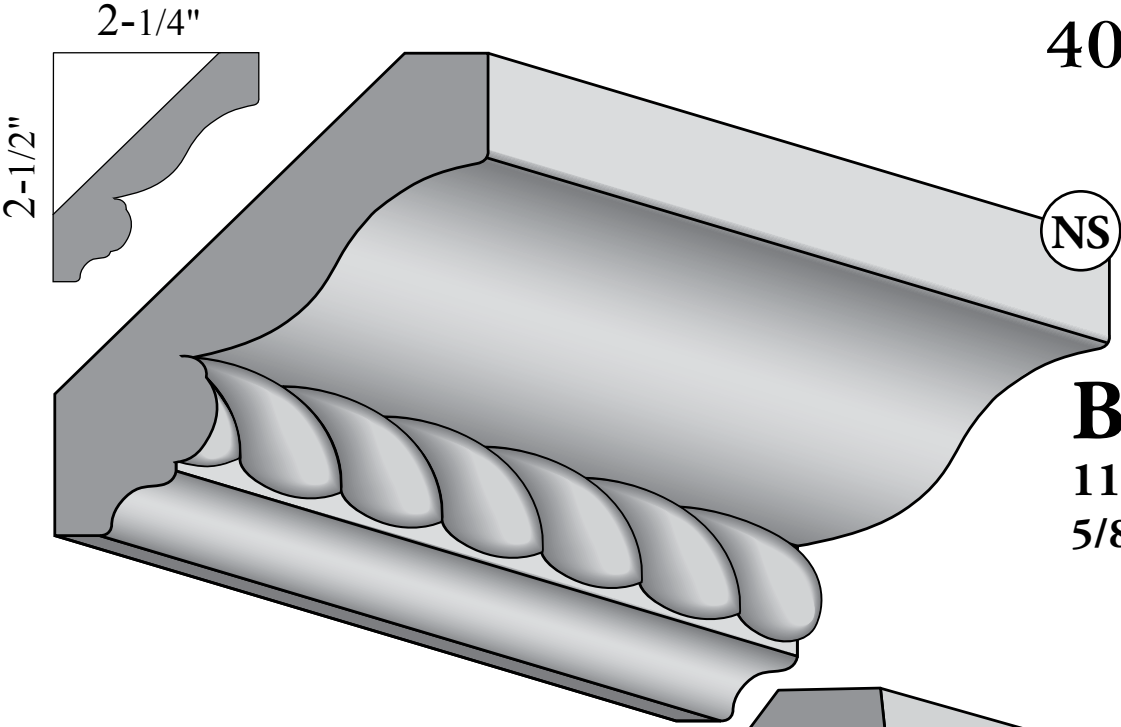


BR410
 $7\frac{7}{8}'' \times 3\frac{1}{2}''$
 5/8" Rope Insert

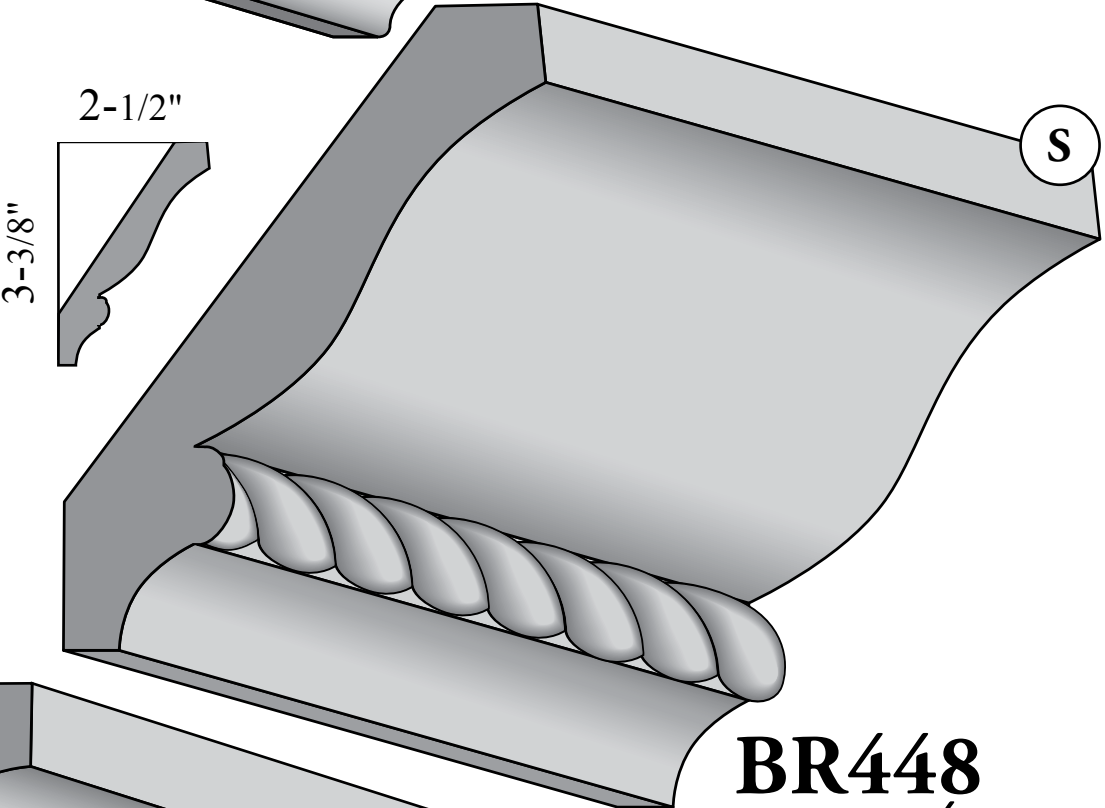


BR410B
 $3\frac{3}{4}'' \times 2\frac{3}{4}''$
 1/2" Rope Insert

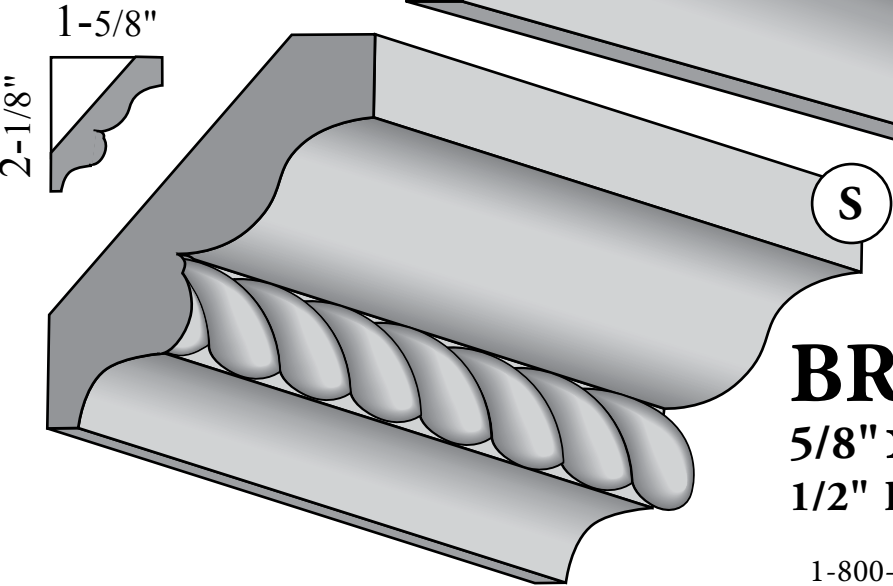
400 Series –
CROWNS



BR411
11/16" x 3 3/8"
5/8" Rope Insert

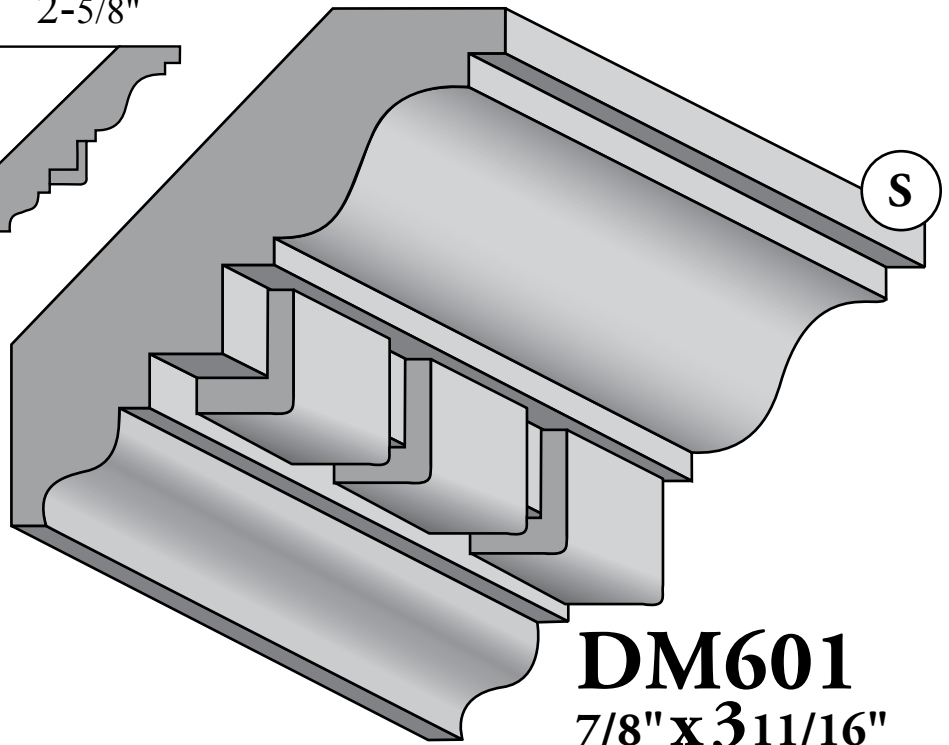
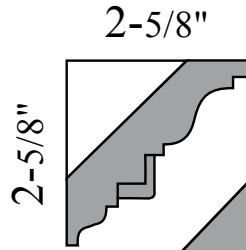


BR448
11/16" x 4 1/4"
1/2" Rope Insert

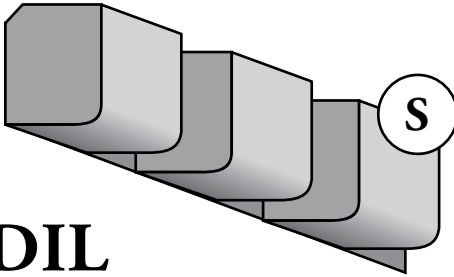


BR452
5/8" x 2 3/4"
1/2" Rope Insert

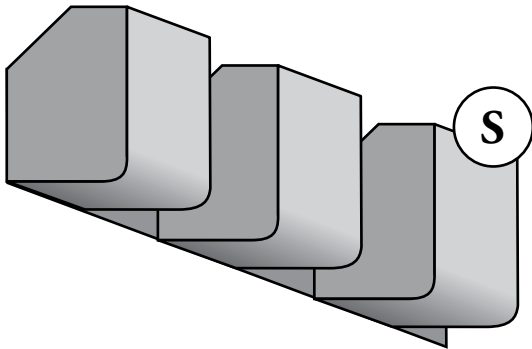
600 Series –
DENTIL CROWNS



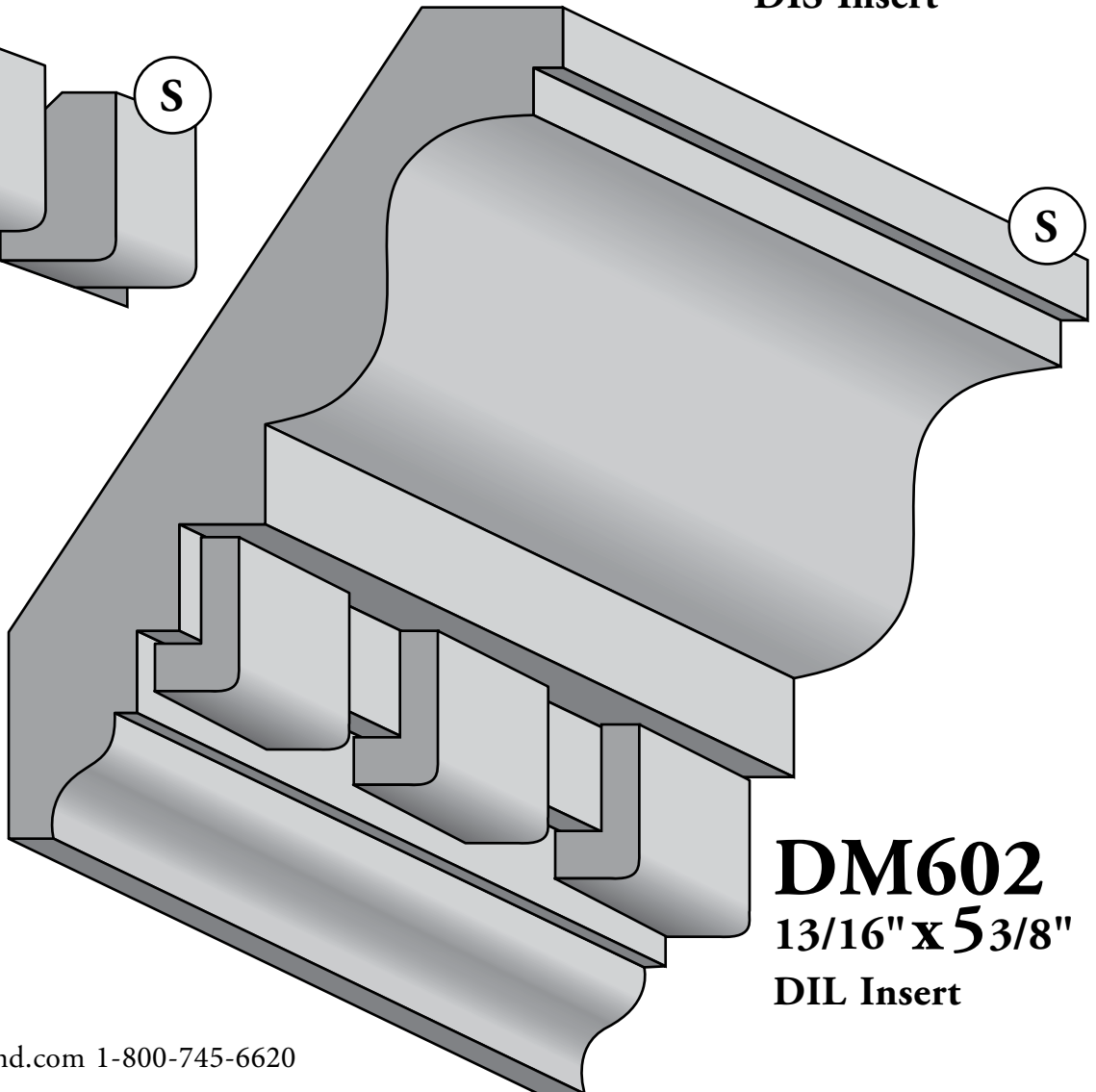
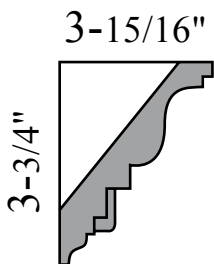
DIS
1/2" x 5/8"



DIL
5/8" x 15/16"

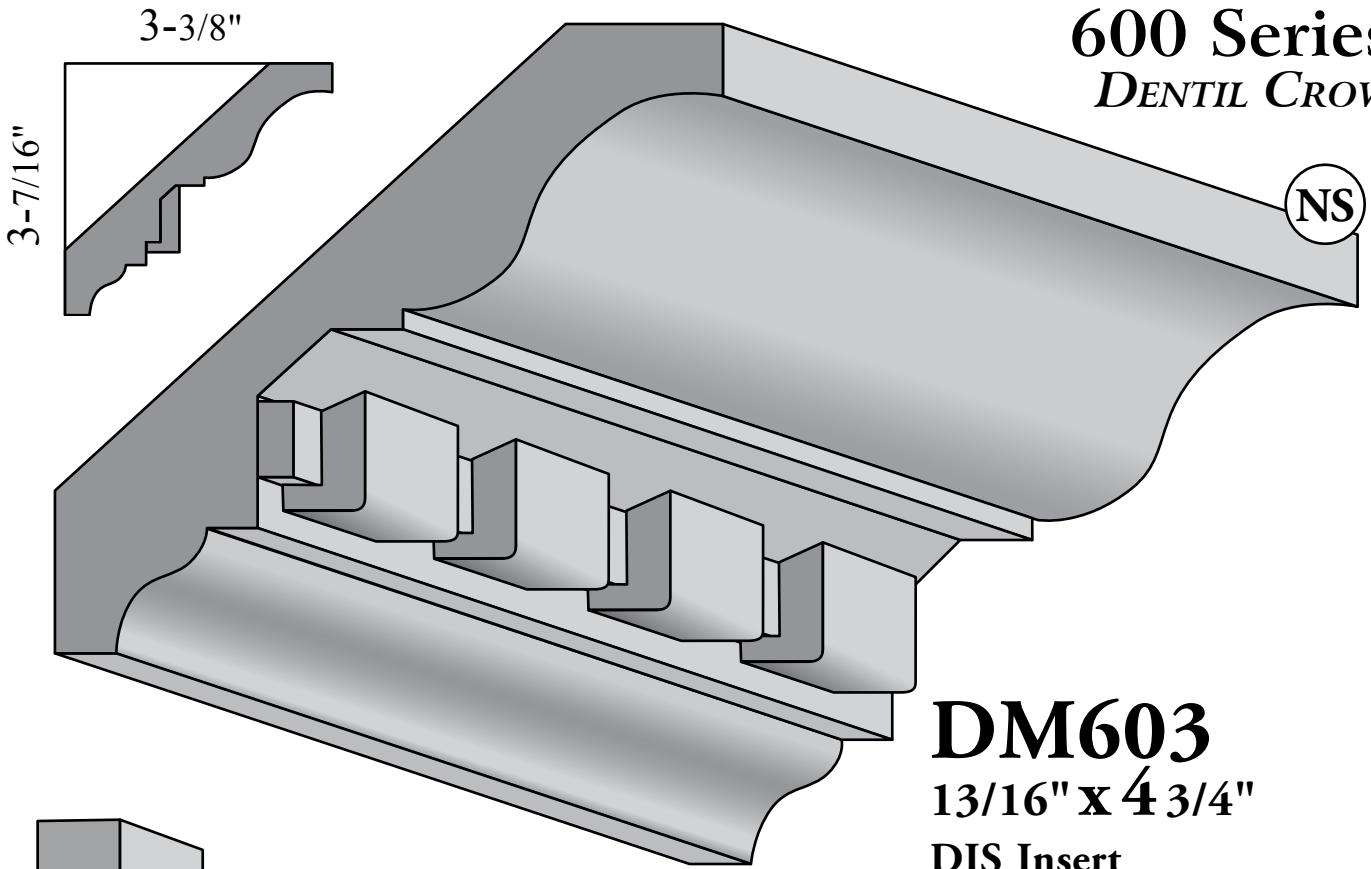


DM601
7/8" x 3 11/16"
DIS Insert

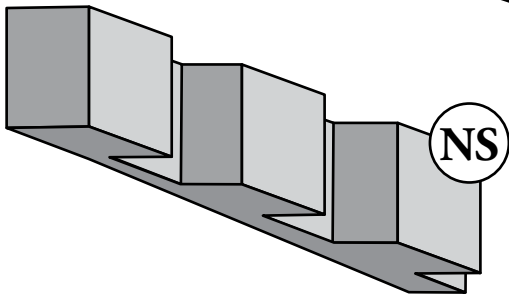


DM602
13/16" x 5 3/8"
DIL Insert

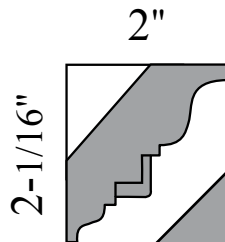
**600 Series –
DENTIL CROWNS**



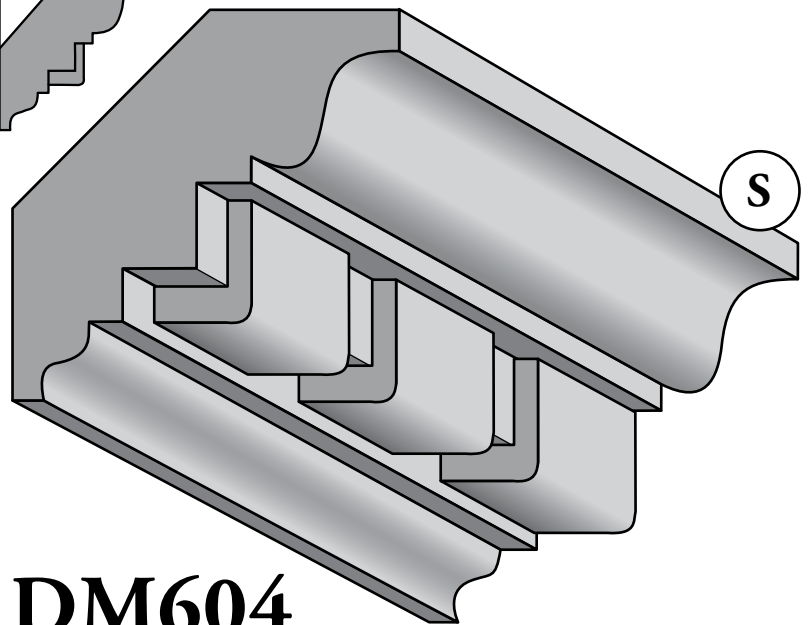
DM603
13/16" x 4 3/4"
DIS Insert



DISC
7/16" x 5/8"



DILSC
5/8" x 15/16"

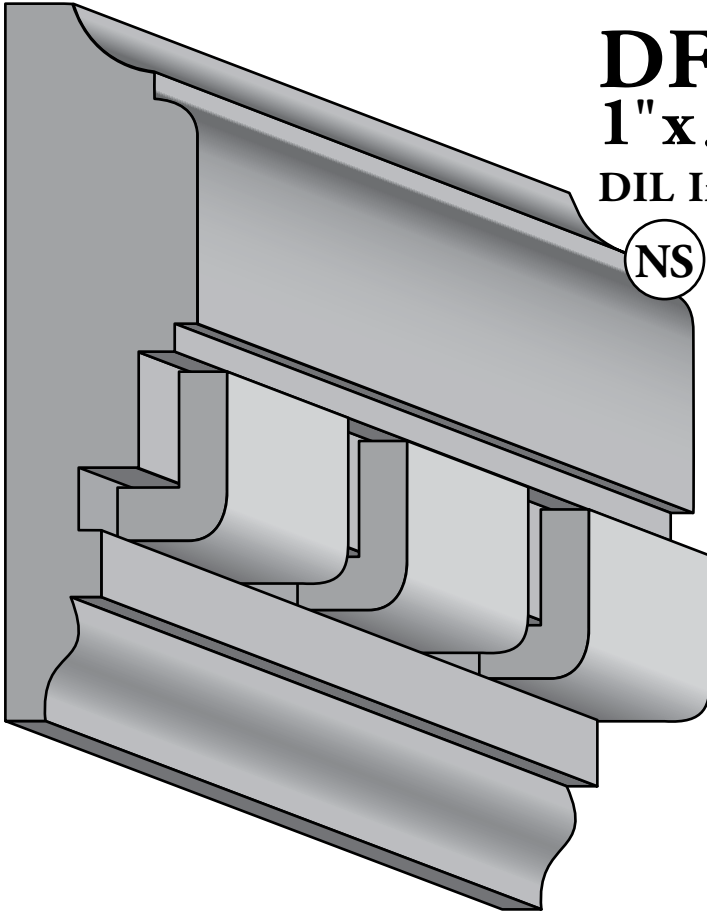


DM604
13/16" x 2 7/8"
DIL Insert

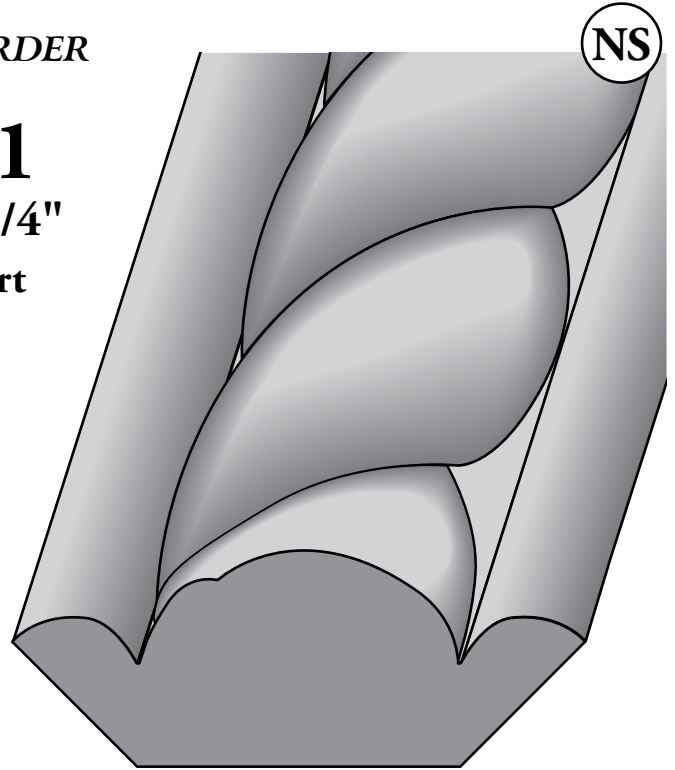
600 Series –

DENTIL FRIEZE

CROWN BUILDUP / CHAIR RAIL / BORDER



DF01
1" x 3 3/4"
DIL Insert

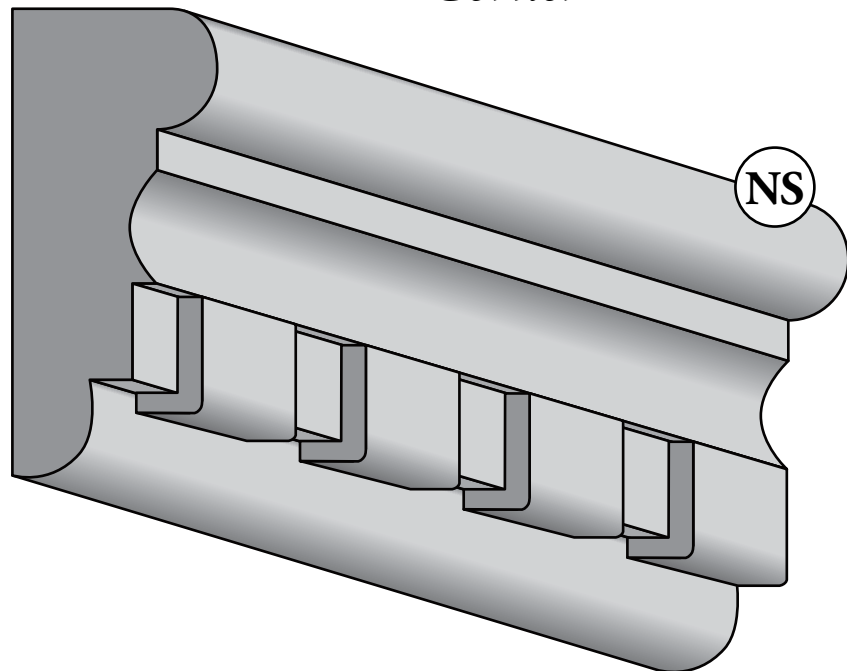


CCR15
1 3/16" x 2 11/16"
1 1/2" Rope Insert

*Speciality Cabinet
Corner*

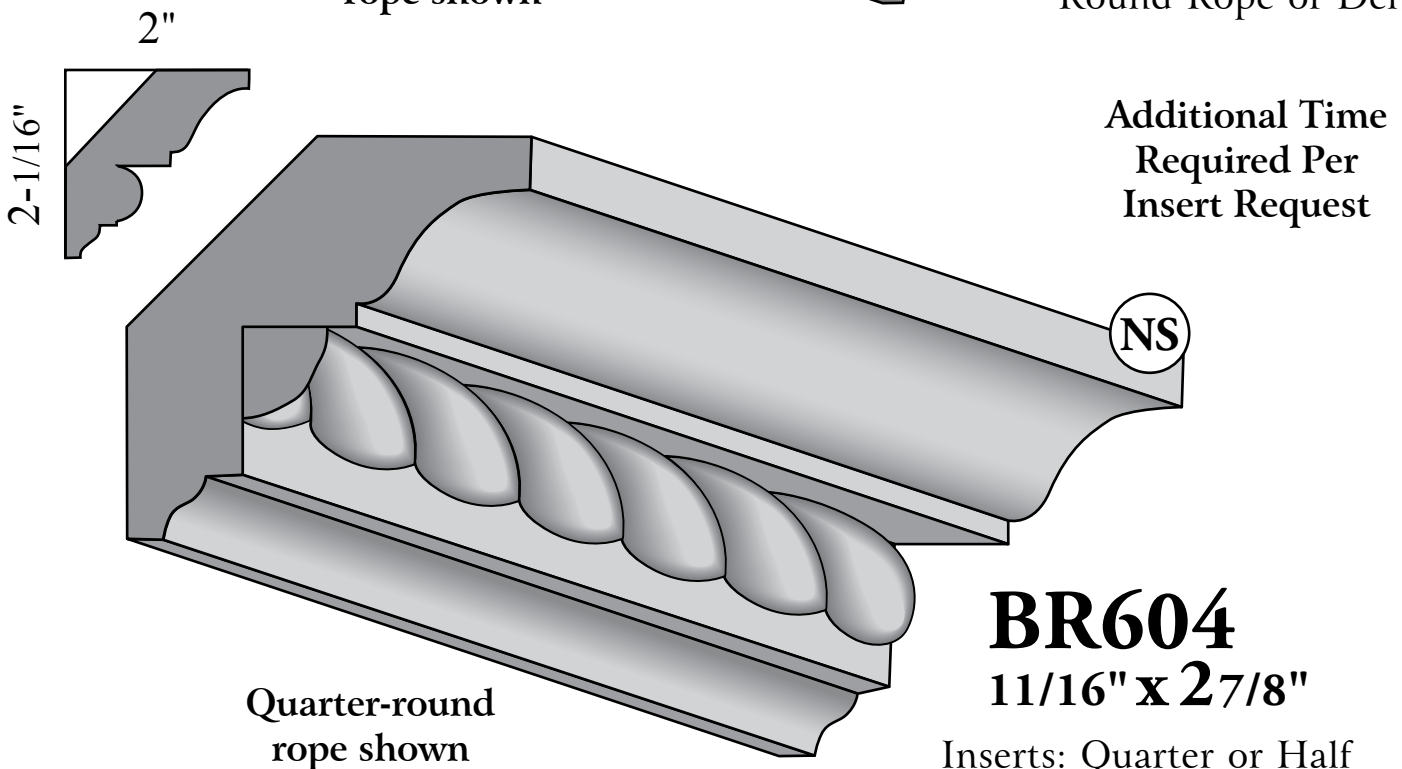
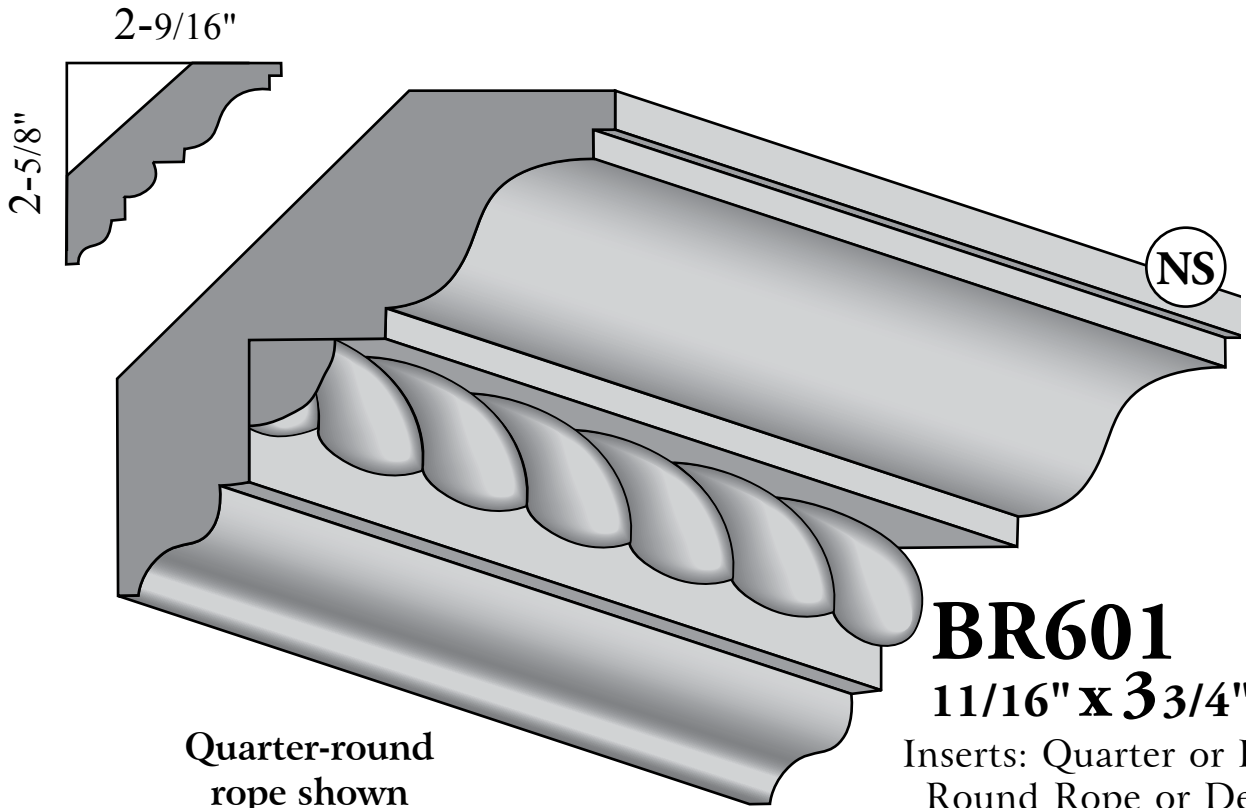
DM402
1 1/16" x 2 1/2"
DIS Insert

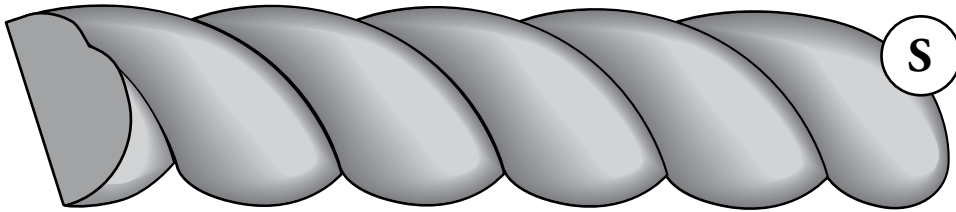
*Cabinet / Furniture
Crown
Edgeband / Chair
Rail*



Universal Crowns Combination Inserts –

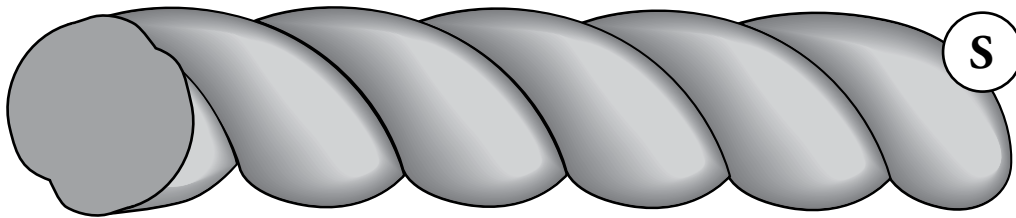
AVAILABLE IN QUARTER ROUND, HALF ROUND, ROPE OR DENTIL





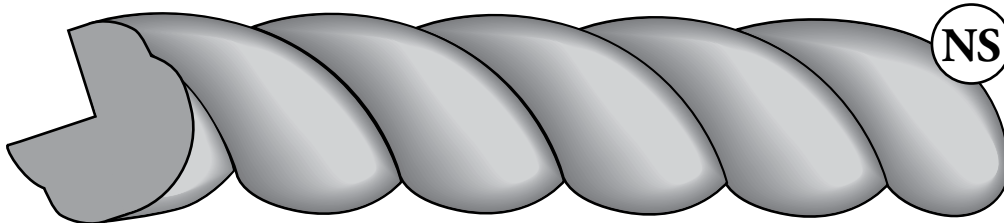
HALF ROUND ROPE MOULDINGS

BR38	BR12	BR58	BR34	BR01	BR1-12
3/8" Dia.	1/2" Dia.	5/8" Dia.	3/4" Dia.	1" Dia.	1-1/2" Dia.



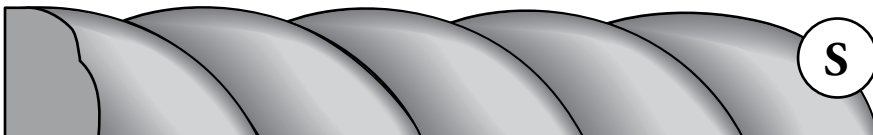
FULL ROUND ROPE MOULDINGS

BR38FR	BR12FR	BR58FR	BR34FR	BR1FR	BR1-12FR
3/8" Dia.	1/2" Dia.	5/8" Dia.	3/4" Dia.	1" Dia.	1-1/2" Dia.



THREE QUARTER ROUND

BR38TQR	BR12TQR	BR58TQR	BR34TQR	BR1TQR	BR1-14TQR	BR1-12TQR
3/8" Dia.	1/2" Dia.	5/8" Dia.	3/4" Dia.	1" Dia.	1-1/4" Dia.	1-1/2" Dia.



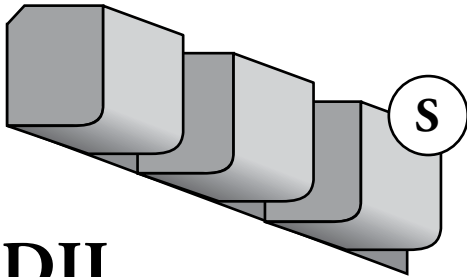
QUARTER ROUND

BR14QR	BR38QR	BR12QR	BR34QR
1/4" Rad.	3/8" Rad.	1/2" Rad.	3/4" Rad.

DENTIL MOULDING INSERTS

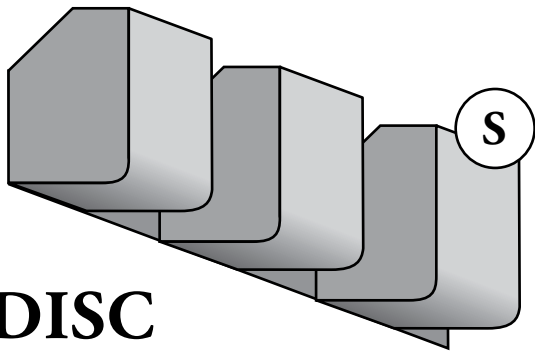
DIS

1/2" x 5/8"



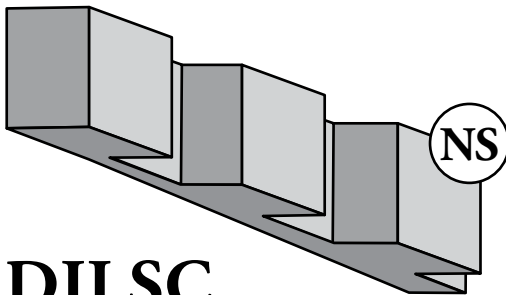
DIL

5/8" x 15/16"



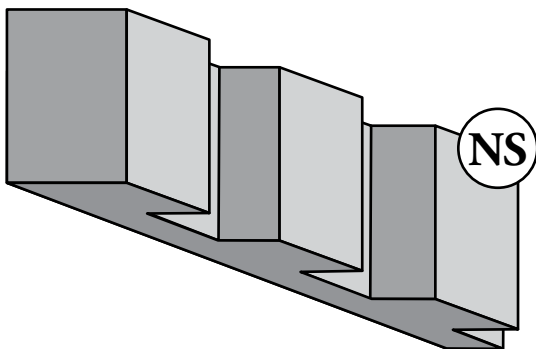
DISC

7/16" x 5/8"



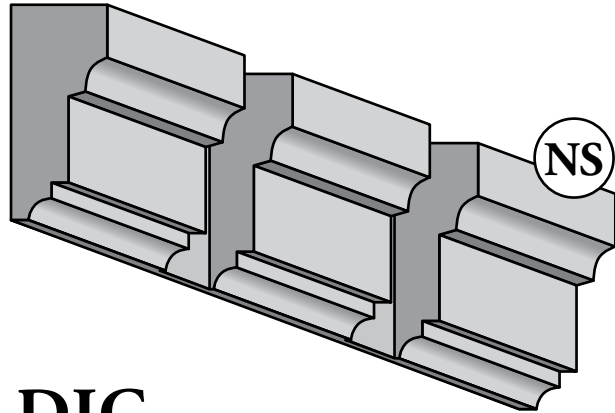
DILSC

5/8" x 15/16"



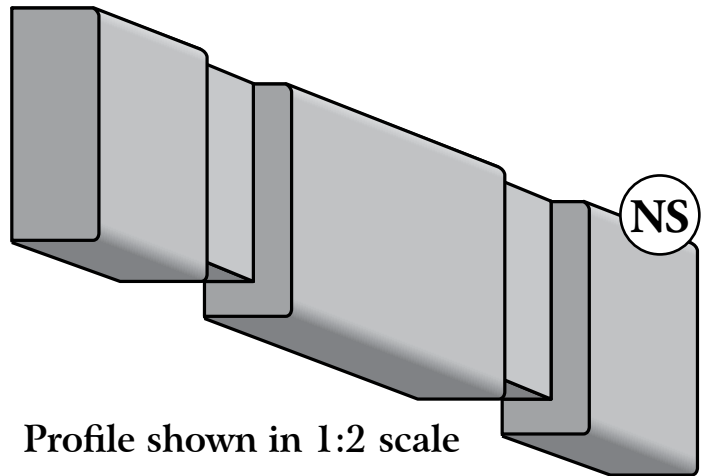
DIF

1/2" x 1 1/8"



DIG

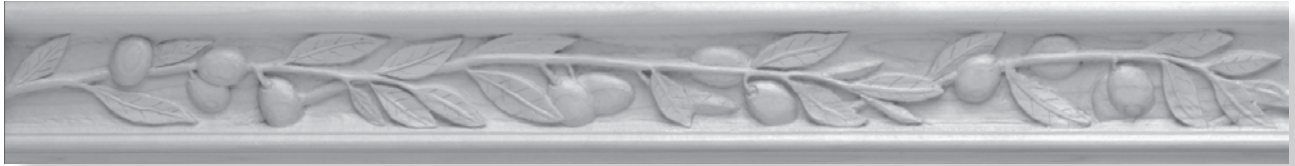
3/4" x 2"



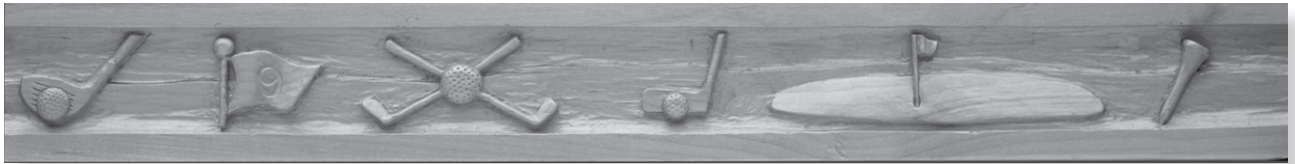
Profile shown in 1:2 scale

CALL US TO EXPLORE ADDITIONAL DENTIL INSERT OPTIONS. YOUR IMAGINATION BECOMES PART OF THE FUN WITH OUR ACCENTED MOULDING PRODUCTS.

Theme Mouldings – *Personalize Your Surroundings*



Olive Branch Crown: 1" x 3 1/4" x 8' Chair Rail: 7/8" x 3" x 8'



Golf Crown: 1" x 3 1/4" x 8' Chair Rail: 7/8" x 3" x 8'



Pine Cone Crown: 1" x 3 1/4" x 8' Chair Rail: 7/8" x 3" x 8'



Fly Fishing Crown: 1" x 3 1/4" x 8' Chair Rail: 7/8" x 3" x 8'



Grape Vine Crown: 1" x 3 1/4" x 8' Chair Rail: 7/8" x 3" x 8'



Snow Ski Crown: 1" x 3 1/2" x 8' Chair Rail: 7/8" x 3 1/2" x 8'



Waterfowl Crown: 1" x 3 1/2" x 8' Chair Rail: 7/8" x 3 1/2" x 8'

Theme Corbels

Standard Corbel Size:

6-1/2" x 6-1/2" x 14"

Ideal for:

- *Trophy Rooms*
- *Dens and Home Offices*
- *Furniture Accents*
- *Kitchen Designs*
- *Sports Themes*
- *Commercial Applications*
- *Rosettes and Keystones*



Eagle



Horse



Pine Cone



Snow Ski



Deer



Fish



Golf



Waterfowl

Hardwood Industries® Terms & Conditions:

1. *Hardwood Industries*® strives to keep an adequate inventory, but does not accept responsibility for periodic shortages due to manufacturing times and raw material supply.
2. Orders are carefully inspected, properly packaged and shipped. **Any discrepancies or damages must be reported within 48 hours of receipt.**
3. *Hardwood Industries*® has a 20% restocking fee on items returned in good condition. Custom profiles and species are not returnable. *All shipping costs on returned items are the responsibility of the customer.* **No unauthorized returns will be accepted.**
4. Custom orders on both stock, non-stock profiles, and special species are available on request and may be subject to a minimum milling charge and will require additional time.
5. *Hardwood Industries*® manufactures mouldings and rope lengths applicable to its use; primarily 8' - 12' lengths. **If footage needs are to be cut in order to accommodate shipping or customer requests, the customer will be charged for the total footage.** Special length requests may require additional lead time and is dependent upon availability. An additional 20% “specific length charge” will apply.
6. *Hardwood Industries*® allows up to 10%, 5'-7' lengths, to be shipped on all random length orders. Orders allowing all 3'-7' lengths will receive an additional 15% price discount.
7. Orders longer than 8-foot will be shipped common carrier; orders 8-foot or less will be shipped via UPS or pursuant to the customers' carrier request.
8. Prices herein are all F.O.B. the factory and subject to change without notice.
9. *Hardwood Industries*® has moulds for most flex profiles and are available in primarily 10-foot lengths. A one-time mould charge may apply on profiles not tooled.

Product Index: Moulding Selection Guide

BR101  pg 4	BR101B  pg 4	BR104  pg 5	BR203  pg 5	BR301  pg 6	BR301B  pg 6
BR302 / 302B  pg 7	BR303 / 303B  pg 7	BRV401  pg 8	DMV401  pg 8	BR401  pg 9	BR402  pg 9
BR403  pg 10	BR405  pg 10	BR408  pg 11	DM408  pg 11	BR409  pg 12	BR410  pg 12
BR410B  pg 12	BR411  pg 13	BR448  pg 13	BR452  pg 13	DM601  pg 14	DM602  pg 14
DM603  pg 15	DM604  pg 15	DF01  pg 16	DM402  pg 16	CCR15  pg 16	BR601  pg 17
BR604  pg 17	Half round  pg 18	Full Round  pg 18	3/4 Round  pg 18	1/4 round  pg 18	DIS  pg 14, 19
DIL  pg 14, 19	DISC  pg 15, 19	DILSC  pg 15, 19	DIF  pg 19	DIG  pg 19	

(S) = STOCK ITEM **(NS)** = NON-STOCK ITEM

Stock Species Include: Heart Cherry, White Hard Maple, Red Oak, Clear Alder, Knotty Alder, and Paint Grade.



HARDWOOD
INDUSTRIES, INC.

Braided

Accents[®]

"Hardwood Mouldings with a Twist."[®]



Hardwood Industries[®] accented mouldings are sold nationally through your local architectural dealer.

Accented Mouldings Sales Offices

Sherwood, OR: 800-745-6620
Bend, OR: 541-389-2236
Medford, OR: 800-669-0657
Woodinville, WA: 888-750-5881
Kent, WA: 888-750-5881

Sold By:

Copyright 2015 Hardwood Industries[®]

Profiles and text are protected under the copyright laws of the United States and may not be reproduced in whole or in part without the written permission of Hardwood Industries 1-866-440-9663[®]. All rights reserved. Violators will be prosecuted.